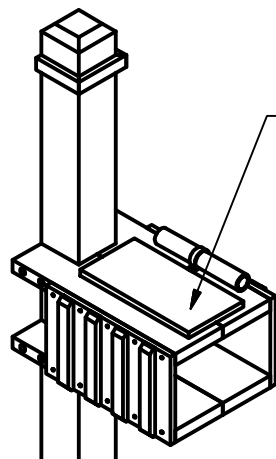
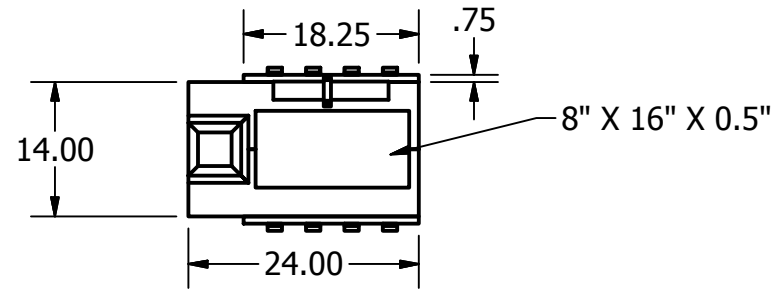
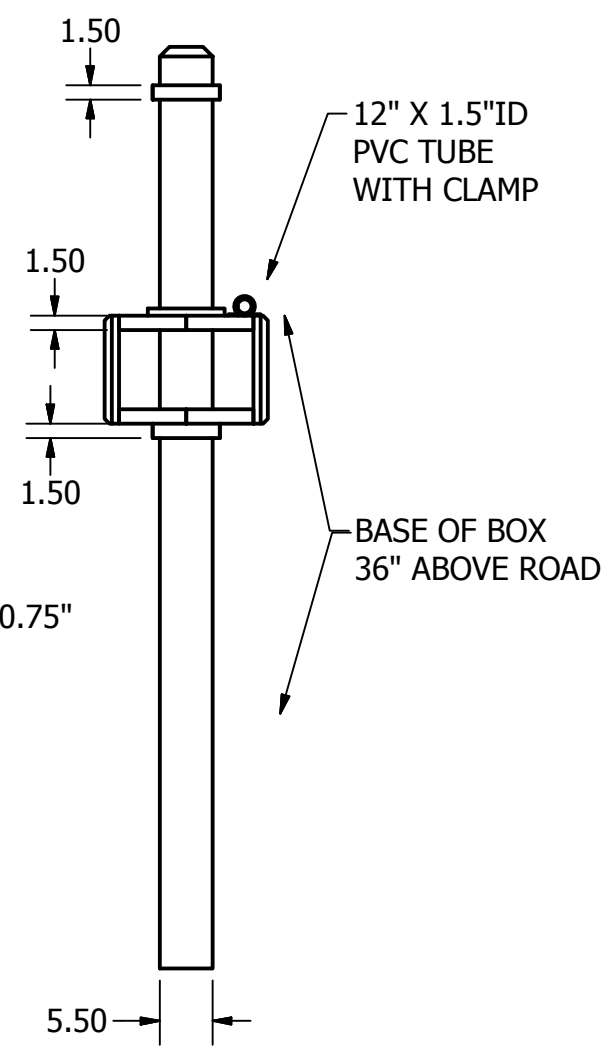
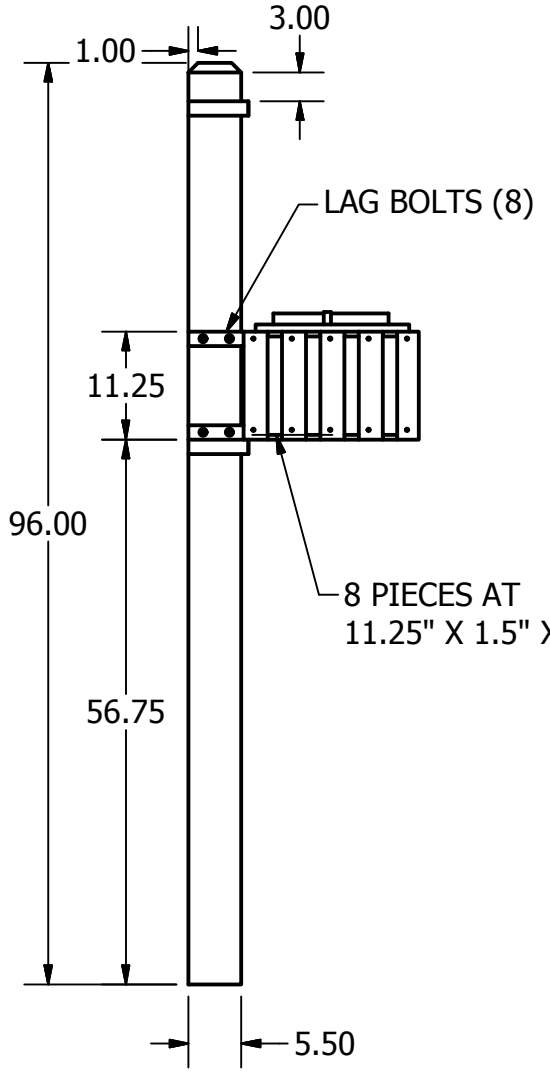


2

1



POST OFFICE APPROVED
MAILBOX ATTACHES HERE



12" X 1.5" ID
PVC TUBE
WITH CLAMP

BASE OF BOX
36" ABOVE ROAD

ALL WOOD TO BE
TREATED LUMBER
AND PAINTED

RESERVE HOMEOWNERS

Mailbox Specifications

10-23-2013 kwc

2

1